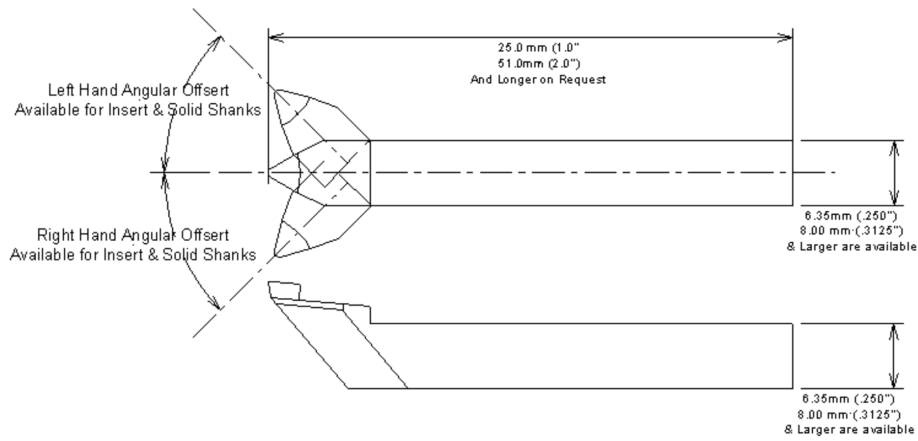


SOLID SHANK



Solid Shank tools comes in several options:

- Steel as a lower cost option
- Tungsten or Carbide for stiffness needed with long reach or long overhang machining applications
- Molybdenum used to help dampen high frequency vibrations that may impact surface quality